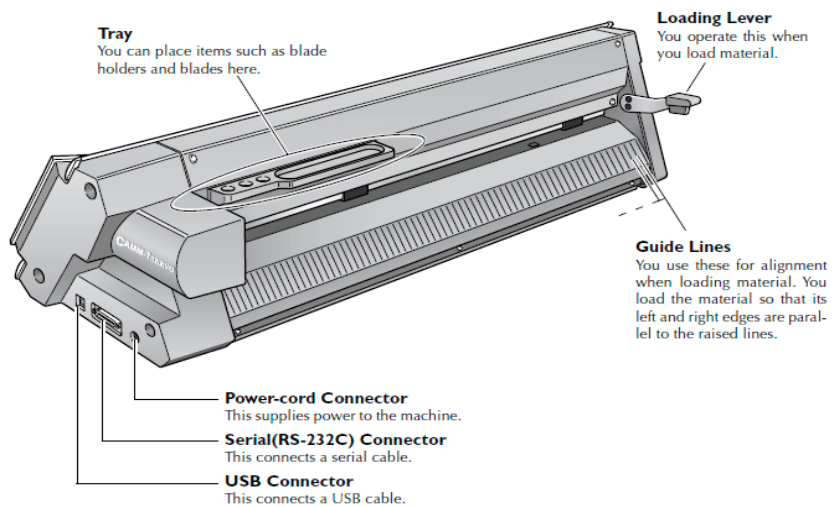
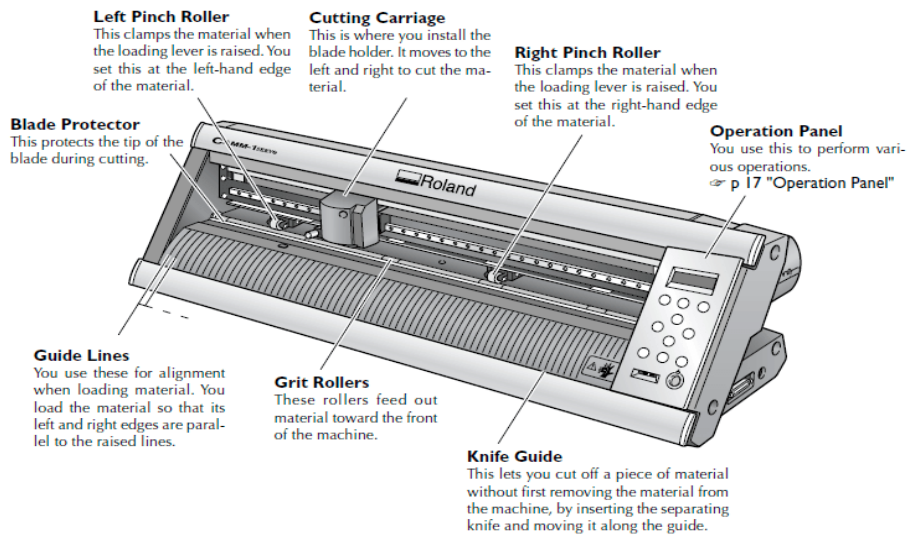


Roland GS 24 Vinyl Cutter



Standard Operating Procedure

- Long press power button to turn on/OFF
- Choose a color, place the roll on the gray tray on the backside of the machine
- Feed the material through the slot. Pull it about as far as the yellow warning label on the front of the machine. When you are feeding the material through, make sure the lever is pushed away from the machine (so it's open).
- The roll should be placed in the center of the machine. Position the 2 little wheels on both edges of the material. You can slide the wheels easily by pushing the metal plates on the back of the machine.

Important: The machine only works if the wheels are placed within the white markers.

- Align the material with the wheels, then pull the lever toward you.
- In the menu display. Use the arrows to select [edge]. Which option you choose from the menu depends on what material you are loading.

Roll is for setting up the starting point manually.

Piece is for letting the machine measure all sides of your loaded sheet. (like with smaller 'leftover' pieces) Warning : Never select Piece when Roll is loaded ,it will try to find the other edge that's too long.

Edge is for letting the machine only find only 1 side of your loaded material. (when you just want to find the starting point at the edge of your material.)

- To confirm, push the [enter] button. The machine will now start moving. The machine will pull on the material to find the edge.
- Using [Navigation] buttons move and place the knife head to set the origin and long press [Origin] button.

- There are two parameters which need to be adjusted while we are cutting vinyl according to the material specifications. You can change from the Cutstudio/Machine menu.

Force(80gf for normal vinyl)

Speed(19cm/s for normal vinyl)

- Force test on the vinyl sticker{After setting parameters and origin you can perform a test cut by long pressing [test] button}
- Send/Print Vector file from CutStudio Software.

[Roland CutStudio Software Tutorial](#)

- When the machine stops moving around, it is done. Push the lever away from the machine to remove the material.

Possibilities

- Stencils
- Stickers
- Screen printing
- Stencils for sandblasting glass
- Branding logos
- Flexible PCB Using Copper sheets

Tips and Tricks

- it's easier to use masking tape/Transfer sheet for vinyl transferring and weeding. Make sure the adhesive is less sticky(use your body to remove glue).use Tweeswes and precision knife.
- http://archive.fabacademy.org/fabacademy2017/fablabnervecentre/students/401/roland_gx24.html